

Kährs

Studio™ & Mega Studio™, 11mm Glue-Down

Table of Contents

Jobsite
 Subfloor Preparation 2 - 5
 Underlayment 6

Tools & Techniques
 Important Installation Notes 7
 Kährs Product Key 8-9
 Studio^R and Mega Studio^R Glue-Down Installation 10-13

Follow Up
 Recoating Your Floor 14

Approved Commercial Uses

Kährs flooring may be used as a floor covering in public or private business, educational or religious buildings and offices.

Installation in any and all areas where food or drinks are consumed, or areas contiguous to outside entrances must be coated with a compatible wood finish urethane, in accordance with the finish manufacturers application procedures. Kährs recommends Bona Kemi or Bona Traffic in these cases. Contact Bona Kemi for details (www.bona.com).

Kährs does not warranty the performance of any site-applied finish. Please contact the finish manufacturer for suitable products, precedures, and warranty.

Maintenance

See Kährs Commercial Flooring Maintenance Procedures (Kährs Commercial Warranty) for maintenance details (available at www.kahrs.com).

For prefinished oiled floors, please refer to Natural Oiled Floors Maintenance and Rennovation Procedures at www.kahrs.com

Subfloor Preparation

Note: *Warranty coverage may be lost due to failure to strictly follow all installation instructions and recommendations and/or the use of improper materials or tools.*
READ ALL INSTRUCTIONS CAREFULLY!

Subfloor Specifications

- A. The surface of the subfloor must be level to within 1/8" in an 8ft. radius. Check this by using the edge of a Kährs or Linnea plank to find high/low spots. To fill excessive voids or variations in the subfloor, use leveling compounds approved for your application. Consult the compound manufacturer to be sure it is appropriate. Allow the compound to dry thoroughly before beginning wood floor installation.
Fifteen-pound felt or roofing paper is also appropriate to level a floor for a float-in installation. Cut small pieces to fit the shape of the depression and then stack as many sheets as necessary to level the area. DO NOT use this method to correct extensive variations in concrete subfloors.
- B. **You must** test concrete subfloors prior to installation by one of the following methods. Concrete subfloors must not contain more than 3 lbs. moisture on a dry-weight basis (calcium chloride test). Subfloor must read 4.5 or less with Tramex meter. Follow ASTM2170 - subfloor relative humidity not to exceed 75% with in-situ probe. Moisture content of wood subfloors must be less than 12% Moisture Content (MC). Document and keep ALL test results. Subsequent excessive moisture after pre-installation documented testing is evidence of moisture intrusion and will not be covered under Kährs warranty.
- C. The subfloor must be clean.
- D. Relative humidity at the job site must be, and remain, minimum 30%, maximum 60%. Temperature setting must be, and remain, within 15° F of normal operating range.

Evaluation

Before installing a Kährs floor, inspect the job site thoroughly. With the help of the Installation Environment Chart determine if grade, subfloor, and subfloor conditions are acceptable for the installation method you plan to use.

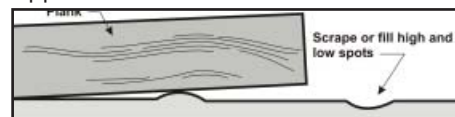
Exterior: Carefully inspect the outside surroundings for improper drainage and predictable or obvious sources of moisture. The yard should be graded (at least 6" in 10 ft.) to slope away from the foundation. Be sure that gutters and eaves sufficiently prevent rain from penetrating the foundation.

Under the house: In homes with crawl space or pier-beam foundations, foundation vents must provide cross-ventilation with no dead air space. Vents should be located throughout the foundation with opening area equal to 1-1/2% of the square-foot area within the crawl space (eg. a 1000sq. ft. crawl space must have 15 sq. ft. of vents that remain open all year). If excessive moisture exists underneath the house, you must lay a 6 mil black polyethylene moisture barrier on the ground in the crawl space below the installation area.

Interior: Check the moisture content of the subfloor. See item "B" above as well as "Moisture" at the end of this section. Room conditions can also indicate high moisture and relative humidity. Look for water stains, peeled paint near windows and doors, and rusty metal, especially nails.

Preparation

Wood Subfloors: Moisture Content (MC) must be less than 12%. To prepare the subfloor for installation, re-nail any loose areas with squeaks. Sand or plane any high spots and fill any low areas. The subfloor should not vary more than 1/8" in an 8' radius. Check this by using the edge of a Kährs or Linnea plank to find any high or low spots. See Installation Environmental Chart for Approved Subfloors.



Subfloor Preparation

Preparation (con't.)

Preferred Subflooring: 3/4" (23/32", 18.3 mm) CDX grade plywood subfloor/underlayment (Exposure 1) 4' x 8' sheets OR 3/4" (23/32" 18.3mm) OSB subfloor/underlayment grade, with joint spacing 19.2" (475mm) on center joint construction or less. Direct Glue-Down installations: 2 layers 1/2" (11.9mm) CDX plywood.

Minimum Subflooring: 5/8" (19/32", 15.2mm) CDX plywood subfloor/underlayment (Exposure 1) 4' x 8' sheets, maximum 16" (400mm) on center joint construction. Direct Glue-Down installations: 2 layers 3/8" (10mm) CDX plywood.

Follow panel manufacturer recommendations for spacing and fastening. Typical panel spacing for joint systems is 1/8" (3.2mm) around perimeter and fastened every 6" (150mm) on bearing edges and every 12" (300mm) along intermediate supports.

Door casings should be notched or undercut to avoid difficult scribe cuts.

If nailing the floor, (Kährs 14, 15mm Traditional Tongue & Groove only) we suggest you cover the sub floor with 15 lbs. or higher asphalt felt or rosin paper to retard moisture and to help alleviate variations in the subfloor.

Concrete Subfloors: Lightweight (float-in only) and standard-density (float-in and glue-down) concrete subfloors are ideal applications for a Kährs floor. Concrete subfloors are generally acceptable for float-in installation if the subfloor appears to be dry (i.e. no standing water or discoloration of concrete) and Kährs Combo System Underlayment is used and installed properly. Be sure that, as a minimum, any concrete subfloor is at least 50-60 days old before installing a wood floor over it.

Moisture

To curb the adverse effects moisture will have on a Kährs wood floor and to determine the source of moisture problems, use the following checklist:

1. Inspect the gutters, drains, and down spouts outside the house. Clear out any clogs caused by leaves, dirt, or other substances. Down spouts are designed to transport water away from a foundation.
2. Check the landscaping surrounding the home to be sure the yard is sloped away from the foundation (at least 6" in 10 ft.).
3. Check windows and doors for proper drainage and waterproof caulking.
4. Inspect concrete subfloor for cracks or buckling. Sometimes the water table (water beneath the surface) may rise and force water up through the concrete floor with hydrostatic pressure.
5. Check the ventilation system in the crawl space, basement, and attic. Moisture will collect on walls and floors if dead air (i.e. little or no ventilation) is present. As a rule, ventilation per sq. ft. should equal 1-1/2% of the sq. ft. of the area in question.
6. Inspect pipes, water heater tank, dishwasher, and any other plumbing fixtures in the affected area.
7. Remember to take seasonal changes in relative humidity into consideration when installing a Kährs floor.
8. Signs that the moisture content is too high include discolored (darker) concrete and evidence of actual water droplets.

Subfloor Preparation

Moisture (con't.)

Required moisture testing for ALL Kährs radiant heat installations and direct glue-down flooring:

Calcium Chloride test with a reading of 3 lbs. or less on a dry weight basis (2 lbs. or less for Radiant Heat Installations). Testing kits are generally available through your distributor or call the NWFA at 800-422-4556 (or 800-848-8824 in Canada) for the source nearest you. Follow test kit manufacturer's instructions for conducting test and measuring results. If calcium chloride results read over 3 lbs. but does not exceed 8 lbs. (and no obvious source of the moisture can be eliminated) you must use either of the following approved moisture sealers before installing the floor for the **Kährs Moisture Protection Warranty to apply:**

Warranty to apply:

- DriTac MCS 7000 when used with DriTac 7600 or 7500 Adhesive (call 800-394-9310 for source nearest to you).
- Dependable Cutdown (call 800-227-3434 for the source nearest you).
- Concrete Moisture Barrier System*

* If moisture is present an alternative is a barrier of inexpensive sheet vinyl or "slip sheet" (PVC). Use the manufacturers recommended adhesive for a full spread application to completely adhere the vinyl to the subfloor. Since Kährs cannot guarantee the bond of the vinyl to the subfloor, or subsequent performance of the vinyl, a patch test is strongly advised. Install several 3" x 3" pieces of vinyl in different areas of the installation. Wait 72 hours. Remove the vinyl. If the backing remains attached to the concrete, the subfloor should be acceptable for full spread vinyl installation.

Note: These concrete sealers are **NOT** approved for Radiant Heat installations.

All concrete sealer/vinyl manufacturer testing, documentation, and installation requirements MUST be followed for Kährs Limited Warranty to apply.

Other Subfloors: Kährs floors can be installed directly over some existing floors (i.e. vinyl and rubber tile, steel plates, terrazzo, and existing wood floors). The subfloor or existing floor must meet the requirements listed in "Subfloor Specifications." A Kährs floor installed over existing floors must be installed with the float-in method.

Installation Environment Chart			
I. Grade Type	Glue**	Nail*	Float
A. Above Grade	yes	yes	yes
B. On Grade	yes	yes	yes
C. Below Grade	no	no	yes
D. Over Radiant Subfloor	no	no	yes
II. Subfloor Type	Glue**	Nail*	Float
A. Concrete (701 lbs. cu. ft. density or higher)	yes	no	yes
B. Light-weight concrete	no	no	yes
C. Association-grade underlayment plywood	yes	yes	yes
D. Association-grade underlayment particle board	yes	no	yes
E. Stamped Underlayment Grade OSB (Oriented Strand Board)	yes	yes	yes
F. Old wood floors - above grade only	no	no	yes
(next page)			

Subfloor Preparation

Installation Environment Chart			
II. Subfloor Type (con't.)	Glue	Nail*	Float
G. Asphalt tile	no	no	yes
H. Inlaid linoleum	***	no	yes
I. Vinyl asbestos tile	no	no	yes
J. Cushion vinyl	no	no	yes
K. Rubber tile	no	no	yes
L. Solid vinyl tile	no	no	yes
M. Steel	no	no	yes
N. Marble	no	no	yes
O. Ceramic	no	no	yes
P. Carpet	no	no	no
*14mm & 15mm T & G only			

*** Check Kährs Technical Services Department: 1-800-ASK-KAHR

Underlayment

Kährs QuietStride:

1. *Direct Glue-Down:* Install QuietStride wall to wall, butt all seams together (do not tape seams), directly adhering to subfloor with QuietStride Adhesive* or a premium multi-purpose adhesive. Fully adhere Kährs flooring to underlayment using approved adhesive and trowel (see *Glue-Down Installation* for details). **Note:** an approved concrete sealer must be used if calcium chloride test exceeds 3lbs. for Kährs Moisture Protection Warranty to apply.
2. *Direct Glue-Down over "float-in" underlayment:* First install 6 mil polyethylene plastic loose-laid, seams over-lapped 8". Run plastic up wall 2" (trim excess after installation, before installing trim). Loose-lay QuietStride on top of plastic, wall to wall, butt all seams together (do not tape seams). Fully adhere Kährs flooring to underlayment using approved adhesive and trowel (see *Glue-Down Installation* for details). **Note:** an approved concrete sealer must be used if calcium chloride test exceeds 3lbs. for Kährs Moisture Protection Warranty to apply.

* **QuietStride Adhesive** has been developed for adhering QuietStride Underlayment directly to the subfloor for use in "double-stick" installations. The adhesive is a quick, inexpensive technique for affixing QuietStride Underlayment to the subfloor, then gluing the Kährs flooring to the QuietStride Underlayment with one of the approved Kährs wood flooring adhesives (see page 25).

- QuietStride Adhesive product ID #710248
- Sold in 1gallon pails

Important: Kährs does not guarantee the performance of any non-Kährs branded underlayment.

Important Installation Notes

Please see our website - www.kahrs.com for Kahrs Floor Care Guide and Lifetime Guarantee.

Installation

Glue down :

Installing Kährs floors with the Glue down method requires no expansion breaks in the floor and is not limited in size. A 1/2" gap at perimeter walls is required to allow engagement of last boards.

Adhesive Tape on Kahrs Floors

The use of adhesive tape on any Kährs floor for any reason (i.e. to fasten temporary protection) is not recommended and is not covered in our warranty.

Kährs Flooring is approved for installations in ½ bathrooms only (no bathrooms including showers or bath tubs)

Additional Finish Coating

For additional wear protection, a waterborne urethane finish is compatible with Kährs factory finishes. The following products from Bona Kemi are recommended:

- Pacific Strong
- Traffic

Contact Bona Kemi USA, Inc. (1-800-574-4674). Follow manufacturers instructions for recoating a prefinished wood floor. Kährs International, Inc. does not guarantee the performance and/or durability of these products.

Installation

Do you have the tools and products you need to install a Kährs floor?

Never start a job unprepared! Each installation method requires different tools and products. Use the chart below to be sure you are fully prepared to begin your installation. For your convenience, product codes (SKU's) are listed next to each Kährs product name. Where appropriate, square footage and other important information is included as well.

KAHRS PRODUCT KEY (LISTED BY INSTALLATION METHOD)					
Product/Material	SKU	Float In	Radiant Heat	Glue Down	Nail Down
Kährs 15mm Flooring - Woodloc	Various	Yes	Yes	Yes	No
Kährs 15mm Flooring - Tongue & Groove	Various	Yes	Yes	Yes	Yes
Kährs 14mm Flooring - Tongue & Groove	Various	Yes	Yes	Yes	Yes
Kährs 14mm Flooring - Woodloc	Various	Yes	Yes	Yes	No
Kährs 11mm Flooring - Tongue & Groove	Various	No	No	Yes	Yes
Kährs 10mm Flooring - Woodloc	Various	Yes	Yes	Yes	No
Kährs 7mm Flooring - Woodloc	Various	Yes	Yes	Yes	No
Combo System Underlayment (subfloor)	710730CSU	Yes	Yes	No	Tar/Roofing
QuietStride Underlayment	710113	Yes	Yes	Yes	No
QuietStride Adhesive	710248	No	No	Yes	No
Prefinished Moldings	Various	Yes	Yes	Yes	Yes
Landobond Adhesive; 239 sq.ft. per bottle	710225	Yes	Yes	Yes	Yes
Woodloc 5S Lock/Unlock Tool	710559	Yes	Yes	Yes	Yes
Knocking Block, T & G Float-In and Nail-Down, 14, 15mm	710202	Yes	Yes	No	Yes
Knocking Block, T&G, Woodloc Glue-Down 14mm &15mm	710281	No	No	Yes	No
Knocking Block, Glue Down 11mm	710290	No	No	Yes	No
Woodloc Hand Block (Woodloc only)	710266	Yes	Yes	No	No
Woodloc Installation Wedge (Woodloc only)	710267	Yes	Yes	No	No
Last Board Puller (Jemmy)	710203	Yes	Yes	Yes	Yes
Nail Plate Adapter 15mm for use with Bostitch Mach III	710268	No	No	No	Yes
Nail Plate Adapter 14, 15mm for use with Bostitch Mach III	710269	No	No	No	Yes
Expansion Shims	710283	Yes	Yes	Yes	Yes
Recommended Mastic*** Taylor 2071, Dri Tac, Stauf	Various	No	No	Yes	No

(continued next page)

* Tongue & Groove only

** Contact Kährs Customer Service

*** Alternative: any moisture cured urethane wood flooring adhesive. See Glue-Down sections for details.

KAHRS PRODUCT KEY (LISTED BY INSTALLATION METHOD)					
Product/Material	SKU	Float In	Radiant Heat	Glue Down	Nail Down
Spline - Kährs 11, 14, 15mm only - to change directions	**	Yes	Yes	Yes	Yes
Router Bit Kährs 11mm	710291S	Yes	Yes	Yes	Yes
Router Bit Kährs 14, 15mm	710291	Yes	Yes	Yes	Yes
Kährs Wood Cleaner	710280	Yes	Yes	Yes	Yes
Peel & Stick Floor Protectors	710287	Yes	Yes	Yes	Yes
Touch Up Kits	710273-79	Yes	Yes	Yes	Yes

Adhesive Tack and Open Times

Temperature/Relative Humidity Time Chart						
Temp.		Humidity				
		40%	50%	60%	70%	80%
60°	Tack	120 min.	110 min.	100 min.	90 min.	80 min.
	Open	3.5 hr.	3.5 hr.	3.5 hr.	3 hr.	3 hr.
65°	Tack	110 min.	100 min.	90 min.	80 min.	70 min.
	Open	3 hr.	3 hr.	3 hr.	3hr.	2.5 hr.
70°	Tack	100 min.	90 min.	80 min.	70 min.	60 min.
	Open	3 hr.	3 hr.	3hr.	2.5 hr.	2.5 hr.
75°	Tack	90 min.	80 min.	70 min.	60 min.	50 min.
	Open	3 hr.	2.5 hr.	2.5 hr.	2.5 hr.	2.5 hr.
80°	Tack	80 min.	70 min.	60 min.	50 min.	40 min.
	Open	3 hr.	2.5 hr.	2.5 hr.	2.5 hr.	2 hr.

Note: This chart is for reference only. Actual times may vary dramatically based on jobsite conditions.

Glue-Down Installation of Studio™ & Mega Studio™, 11mm

NOTE:

- **Kährs flooring is covered by a Limited Lifetime Warranty. However, warranty coverage may be lost due to failure to strictly follow all installation instructions and recommendations or the use of improper materials or tools. READ ALL INSTRUCTIONS CAREFULLY.**

IMPORTANT!

- **Do not open packages until ready to begin installation!** Inspect boards as you go. Kährs flooring is sealed at the factory with a 7% moisture content. Opening cartons to acclimate the flooring (as with some solid strip flooring) could result in a difficult installation.
- As an installer, it is your responsibility to be aware of the grade, Relative Humidity of the room, and moisture content of the subfloor. You should check that each plank is free of damage or manufacturing defects. Any unusable boards should be set aside for later replacement.

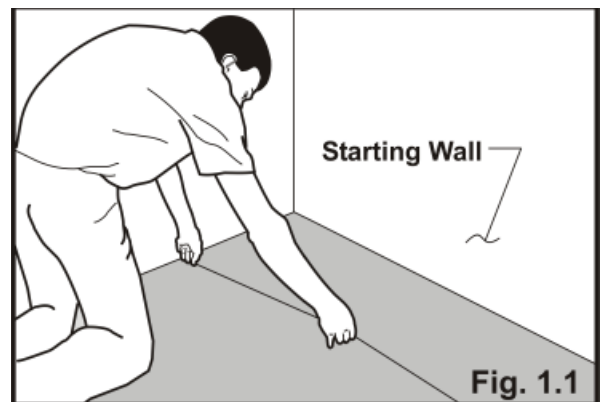
Prior to Installation

- See Jobsite/Subfloor Preparation section and follow all requirements before installation.
- Door casings should be notched or undercut to avoid difficult scribe cuts (Fig. A).
- Sweep or vacuum subfloor thoroughly.
- Approved and recommended adhesives are Taylor 2071 Tuff Lok X-Link Wood Flooring Adhesive, Taylor MS, DriTac 7600, 7500, 7400, 9200, and Stauf SMP940, WFR930, PUM950. Apply adhesive directly to subfloor @ rate of 50 sq. ft. per gallon. Use manufacturer's recommended trowel **Note:** *Always wear rubber gloves when using adhesives!*
- Optional adhesive: any moisture-cured urethane wood floor adhesive. For other approved adhesives call 1-800-ASK-KAHR.

Tools and Materials Required

- Recommended Adhesive (see above)
- Adhesive mfg.'s recommended trowel
- Tape Measure
- Chalk Line
- Straight Edge
- Expansion Shims
- Floor Protectors

For SKU numbers see Kährs Product Key in Tools & Techniques, page 12.



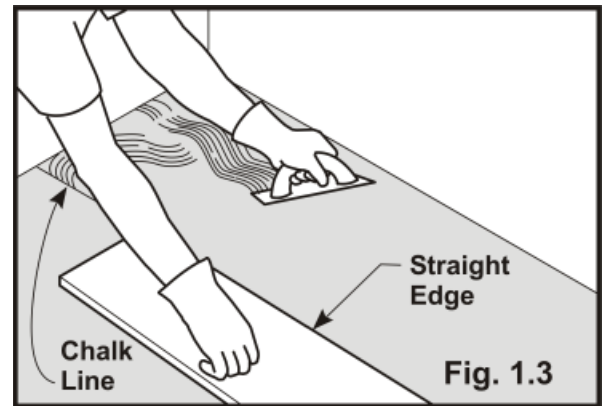
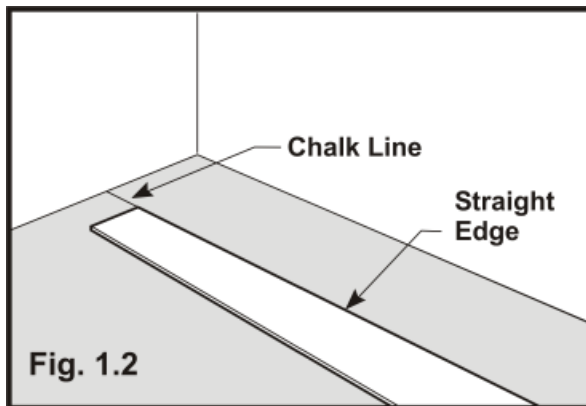
Step 1: Layout

- 1.1 Using starting wall as reference, snap chalk line on subfloor at distance of 4 - 6 times width of boards (depending on reach of installer), plus additional 1/4" (minimum) for expansion gap, as shown in Fig 1.1. Note: expansion gap not necessary at interior obstructions, i.e. fireplaces.

Glue-Down Installation of Studio™ & Mega Studio™, 11mm

Step 1: Layout (con't.)

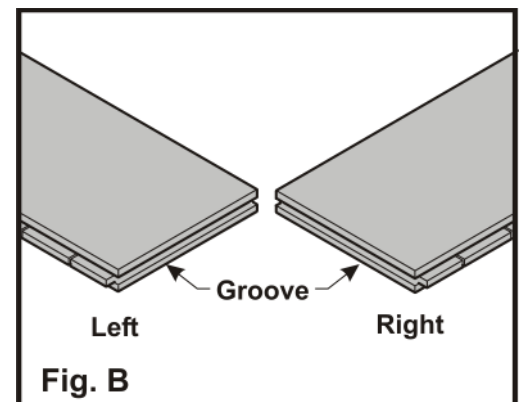
- 1.2 Align straight edge (can be plywood or any solid material with STRAIGHT edge) with chalk line and secure to floor (Fig. 1.2).



- 1.3 Spread only as much adhesive as can be used during open time of adhesive (Fig. 1.3).

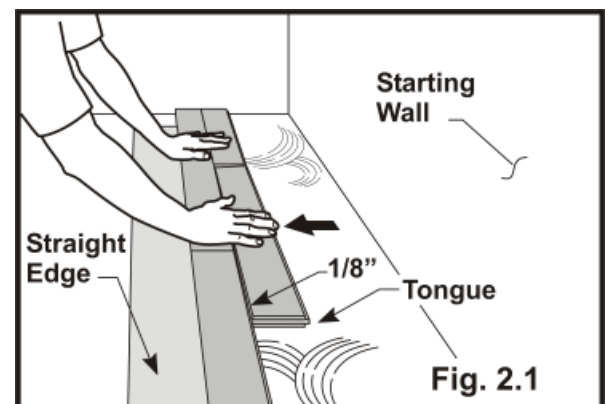
Important Installation Notes:

- Kährs Studio Flooring comes with an equal number of **“left-handed”** and **“right-handed”** boards. When installing, an entire row must be installed using all “right-handed” or all “left-handed” boards (Fig. B).
- Mega Studio includes only “right-handed” boards.
- Studio and Mega Studio Flooring cartons contain several “shorts”. Use these boards at perimeter walls.
- Place weight along walls and doorways after installation for several hours to ensure proper adhesion.



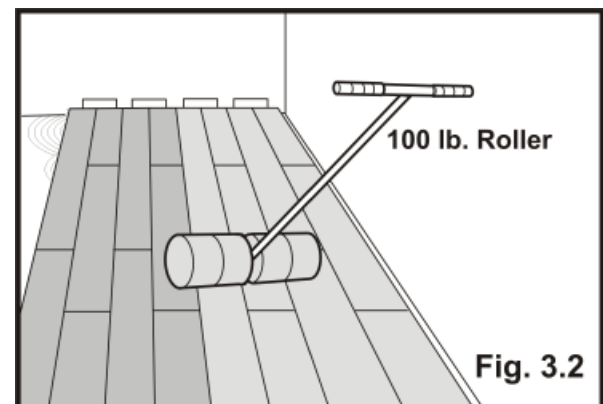
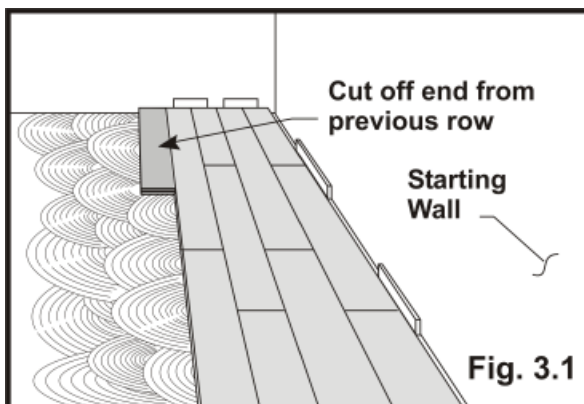
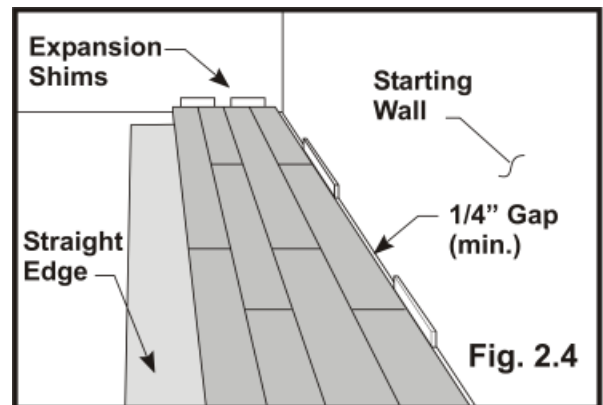
Step 2: Installation

- 2.1 Install flooring with tongue side facing starting wall. Begin by installing first row directly against straight edge (Fig. 2.1).
- 2.2 Install subsequent rows, working toward starting wall. Place each board into adhesive at slight diagonal to first row, approx. 1/8” from final position, and push by hand to engage groove and tongue (Fig. 2.1).
- 2.3 Stagger end joints from row to row - Studio-2-3/4” (min.) stagger, Mega Studio-4” (min.) stagger.



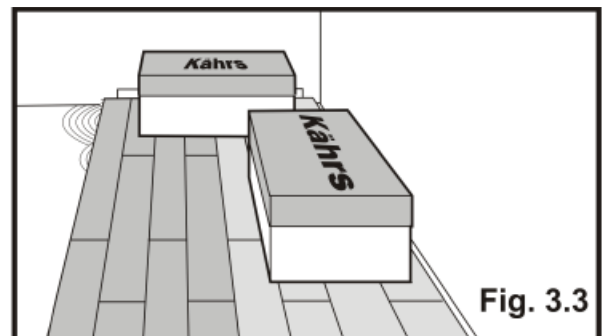
Glue-Down Installation of Studio™ & Mega Studio™, 11mm

- 2.4 Check for tight fit on end joint of each board and wedge expansion shims at end of each row and at starting wall to help prevent movement during remainder of installation (Fig. 2.4). Note: refer to Fig. 4 for last row installation.
- 2.5 Once first rows are installed, a 1/4" (min.) expansion gap should remain between last row installed and starting wall (Fig. 2.4). Allow first rows to set up firmly, then remove straight edge.



Step 3: Subsequent Rows

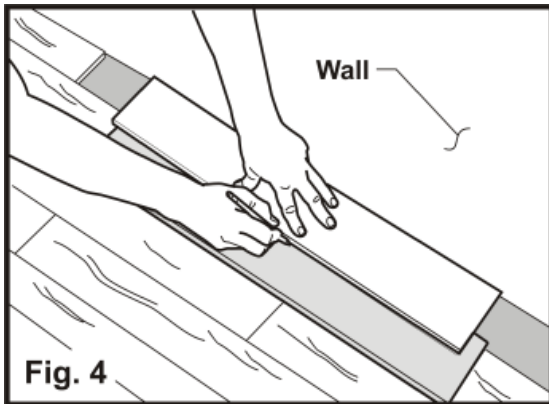
- 3.1 Once starting rows are firmly in place, apply adhesive in a "wet lay" method. Immediately place flooring in "wet" adhesive and proceed with installation (Fig. 3.1)
- 3.2 If recommended by adhesive manufacturer, roll floor with a 100lb. roller to ensure contact between flooring and subfloor (Fig. 3.2).
- 3.3 Place weight (i.e. unopened cartons) at starting and perimeter walls during installation until adhesive sets up (Fig. 3.3).
- 3.4 Start each row with cut off end of last board from previous row (Fig. 3.1).
- 3.5 At end of each row, cut excess length and use at beginning of next row.



Glue-Down Installation of Studio™ & Mega Studio™, 11mm

Step 4: Last Row

Since last row will generally not fit perfectly, scribe the row and cut to fit, allowing 1/4" (minimum) for expansion gap (Fig. 4).

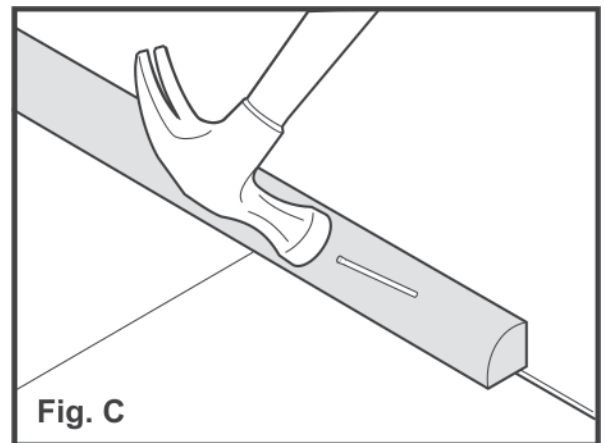


After Installation

- Remove expansion shims and use required Kährs moldings and/or trim pieces to cover expansion space (Fig. C).

Clean Up

- Immediately clean any adhesive spilled on wood flooring during installation. Follow adhesive manufacturer's recommendations.
- Removal of cured adhesive from skin, tools, and equipment is difficult. Consult manufacturer for cleaning procedure. **Tip:** cover areas of trowel not used to spread adhesive with silver duct tape. After use, simply tear off tape and clean exposed areas with mineral spirits.



Curing

- Keep foot traffic to absolute minimum until adhesive is fully cured (follow manufacturer's recommendations).
- Wait at least 24 hours before placing furniture back in room and resuming normal traffic.

Maintenance

- Clean floor using dry dust mop or damp (lightly misted or well rung out) mop or cloth. Regularly use Kährs Wood Floor Cleaner for best results. Do not use oil soap or water-emulsion, self polishing waxes. **NEVER** wet mop floor. Place Steel-shank or Peel & Stick Floor Protectors on furniture legs to prevent damage. See Kährs Floor Care Guide & Lifetime Guarantee for full details (available at www.kahrs.com).

Recoating your Kährs Floor

Kährs floors can be renewed without removing the factory finish. As a floor ages, normal wear and tear will cause a floor to lose its luster. This is natural - it happens to all wood floors. To renew the luster and extend the wear layer of the Kährs floor, recoat with water based urethane coating.

Recoating should be done when necessary. Don't wait until the finish has worn down. Call your professional flooring contractor for recommendations as soon as you see a wear pattern developing.

Preparation:

Whether coating a floor upon installation or at a later date when it begins to show wear, the following recoating procedures are recommended:

1. Kährs recommends the BonaTech® Prep chemical bonding system for recoating all Kährs floor. Please contact Bona Kemi USA @ 1-800-574-4674 for product information, directions, and qualified professionals in your area.
2. Do not use water based urethane over a floor that has been waxed or oiled. If unsure, wipe a small section of the floor with a white rag dampened with mineral spirits to test for wax or coat a test area to check adhesion prior to coating the entire floor. It is imperative, regardless of the age of the floor, to test for adhesion.

Application:

Application of a waterborne finish should be done according to instructions on the product label. Important factors to consider with any urethane are:

- Shake or Stir Bottle: There will also be a sitting time to consider before using.
- Coverage/Feet per Gallon : This will dictate how heavy or thin the finish is designed to be applied.
- Dry Time: Average time before a finish can be recoated.
- Curing Time: This includes time before a floor is walked on, time before normal use, and complete cure time.

Note: To achieve a uniform look, coat the worn traffic areas first, followed by a coat over the entire floor.

Recommended finishes from Bona Kemi:

- Pacific Strong
- Traffic

Call Kährs Technical Line (1-800-ASK-KAHR) for other compatible floor finishes.

Note: For prefinished oiled floors please refer to Natural Oiled Floors Maintenance and Renovation Procedures at www.kahrs.com